

GEK-90842

**115 V ac Output Module, UL Listed  
IC610MDL185**

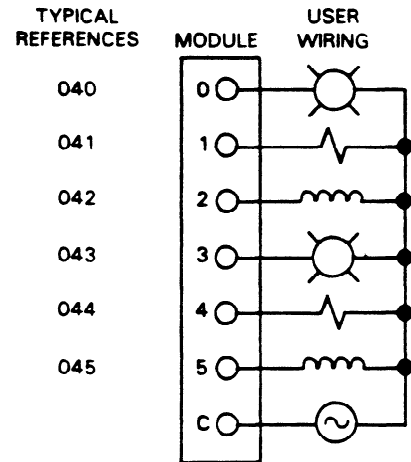
This UL listed module provides 6 circuits, each capable of controlling user supplied discrete (ON or OFF) loads. These loads typically include relay coils, motor starters, solenoid valves, annunciation devices and indicator lights. The 6 circuits are arranged in two groups, with a single common connection for all circuits. Power to operate the field devices must be supplied by the user. An LED, viewed on the faceplate, provides a visible indication of the ON or OFF state of each circuit.

**CAUTION**

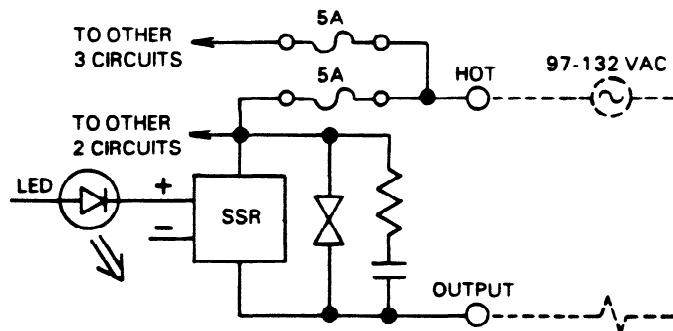
If this module is wired incorrectly or the listed specifications are exceeded, any damage incurred by the module may not be covered by warranty.

<b>Outputs</b>	6
<b>Operating Voltage</b>	97 to 132 V ac
<b>AC Frequency</b>	47 to 63 Hz
<b>Maximum Current</b>	0.5 amp (per point)
<b>Maximum Leakage Current</b>	0.5 mA at 110 V ac, 60 Hz
<b>ON Voltage Drop</b>	0.8 V dc at 0.5 amp
<b>Smallest Recommended Load</b>	25 mA
<b>Maximum Inrush</b>	10 amps for 16 ms 5 amps for 100 ms
<b>OFF to ON Response</b>	1 ms
<b>ON to OFF Response</b>	8 to 10 ms (1/2 cycle)
<b>Circuit Indicator</b>	Logic Side
<b>Fuses (Internal, soldered)</b>	(2) 5 amp (one for each group of three circuits)
<b>Internal Power Consumption</b>	20 mA for each ON circuit at 9 V dc
<b>Units of Load</b>	12 Units at 9 V dc

a41926



a41688



**Figure 6-63. Wiring for UL Listed 115V ac Output Module**