

**115/230 VAC Input, 16 Circuits
IC655MDL525**

This module provides 16 circuits for connection to user input devices. 16 LEDs on the front of the module provide a dual function. They provide a visual indication of the status of each circuit, with each LED reflecting the ON or OFF state of the corresponding circuit. When commanded through programming, they provide the starting I/O address for the module. The input circuits are divided into two groups, with 8 circuits in each group. Connections to each circuit are made to the removable terminal block on the front of the module. The two groups are labeled A and B, with the input terminals for each group labeled 1 to 8. Each group has a single neutral connection, labeled N, for the eight circuits in the group. The user must supply a 115 to 230 VAC source of power for sensing the state of the inputs to the module. Both groups can be powered from a single power source or each group can be powered from a separate source.

Table 13. Specifications for 115/230 VAC Input - 16 Circuits

Input Circuit Type	AC
Number of Circuits	16
Internal Circuit Grouping	Two groups, eight circuits per group
Operating Voltage	80 to 265 VAC, 48 to 63 Hz
Maximum Voltage (open circuit)	265 VAC
Input Current	8.4 mA at 100 VAC; 18 mA at 230 VAC
ON Level	80 VAC; between N and Input terminal
OFF Level	30 VAC; between N and Input terminal
Maximum OFF Leakage	2.0 mA
Minimum ON Current	5.5 mA
OFF to ON Response	5 to 30 ms
ON to OFF Response	10 to 50 ms
Status Indicator Location	Logic side
Internal Power Consumption, (5 VDC)	Total; 64 mA (typical), 100 mA (maximum) Per On Point; 4 mA
Weight	42 oz (650 g)

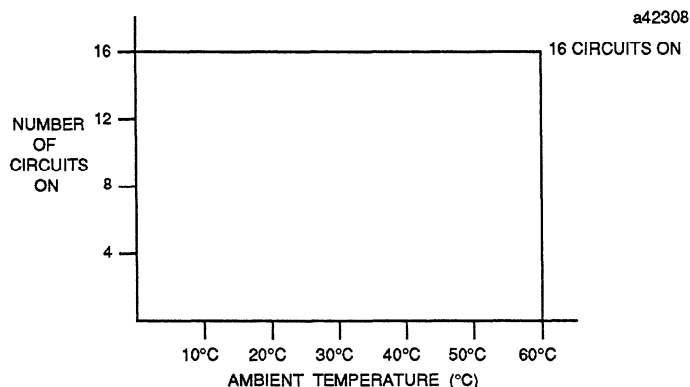


Figure 19. Input Points vs. Temperature for IC655MDL525

GFK-0123

Wiring Information - IC655MDL525

The following figure provides the information required for connecting field devices to this module.

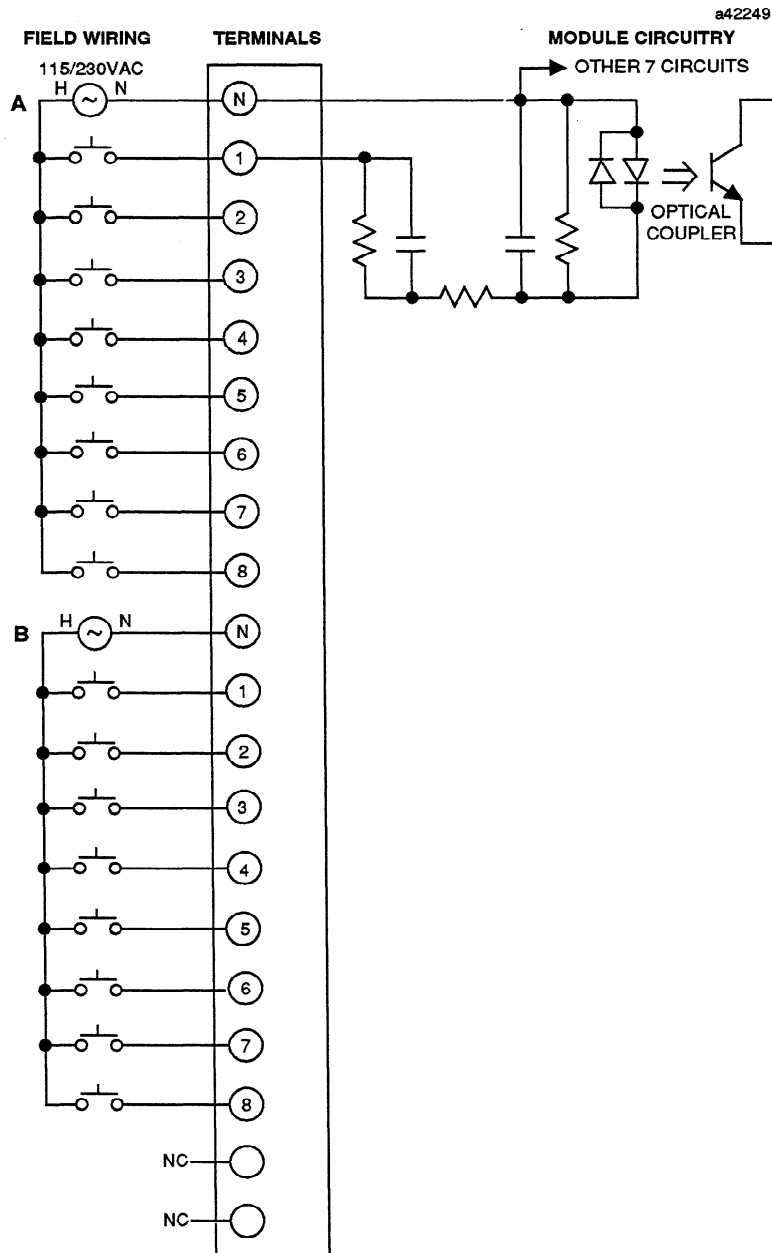


Figure 20. Field Wiring and Typical Circuit for IC655MDL525