

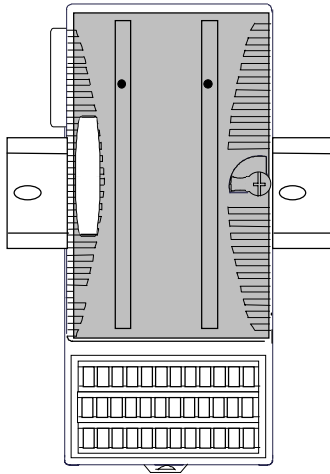
Compact I/O Carrier with Spring-Style Terminals

July 2000

GFK-1870

Description

The Compact I/O Carrier with Spring-Style terminals has 36 spring-clamp-style terminals for field wiring. It provides mounting, backplane communications, and field wiring for one I/O module. The module mounts perpendicular to the DIN rail on this carrier.



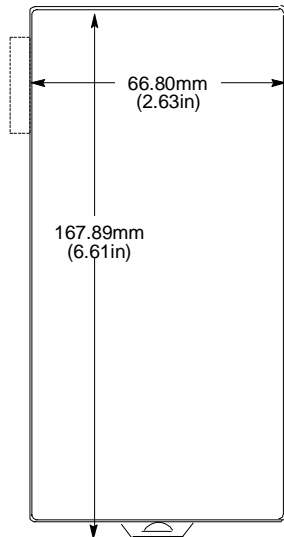
Module Compatibility

This carrier is compatible with all I/O module types.

Preinstallation Check

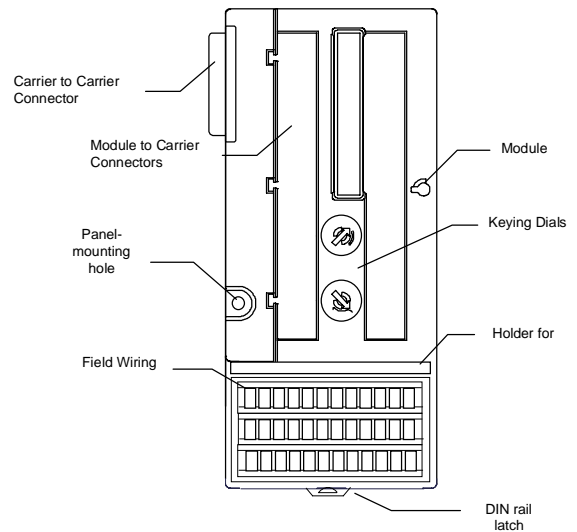
Carefully inspect all shipping containers for damage. If any equipment is damaged, notify the delivery service immediately. Save the damaged shipping container for inspection by the delivery service. After unpacking the equipment, record all serial numbers. Save the shipping containers and packing material in case it is necessary to transport or ship any part of the system.

Clearance and Orientation



Carriers may be mounted on a horizontal or vertical DIN rail. The carrier with module attached fits into a 70mm deep enclosure. Rated thermal specifications are based on a clearance 2 inches (5.1cm) above and below the equipment and 1 inch (2.54cm) on each side of the assembled equipment. Allow adequate space for I/O wiring.

Carrier Features



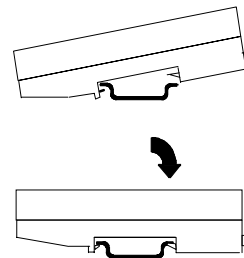
Field Wiring Terminals

Each terminal accommodates one solid or stranded AWG #14 (avg. 2.1mm² cross section) to AWG #22 (avg. 0.36mm² cross section) wire, or two wires up to AWG #18 (avg. 0.86mm² cross section). Use copper wire rated for 90 degrees C. When inserting two wires in the same position, the wires must be the same size and type (solid or stranded).

A13	A14	A15	A16	A17	A18	B13	B14	B15	B16	B17	B18
A7	A8	A9	A10	A11	A12	B7	B8	B9	B10	B11	B12
A1	A2	A3	A4	A5	A6	B1	B2	B3	B4	B5	B6

The carrier accommodates current levels up to 2 Amps per point or 8 Amps per each power and ground, and a voltage range of up to 264 VAC. Voltage transients up to 300 VAC will not damage the carrier.

Installing the Carrier on a DIN Rail



All connecting carriers must be installed on the same section of 35mm x 7.5mm DIN rail. The rail must have a conductive (unpainted) finish for proper grounding. For best stability, the DIN rail should be installed on a panel using screws spaced approximately 6 inches (5.24cm) apart.

The carrier snaps easily onto the DIN rail. No tools are required for mounting or grounding to the DIN rail.

Removing the Carrier from the DIN Rail

1. Turn off power to the power supply.
2. (If the carrier is attached to the panel with a screw) remove the panel-mount screw.
3. Slide the carrier away from the other carriers until the connectors on both sides disengage from the adjacent carriers.
4. With a small flathead screwdriver, pull the DIN rail latch outward while tilting the other end of the carrier down to disengage it from the DIN rail.

Compact I/O Carrier with Spring-Style Terminals

July 2000

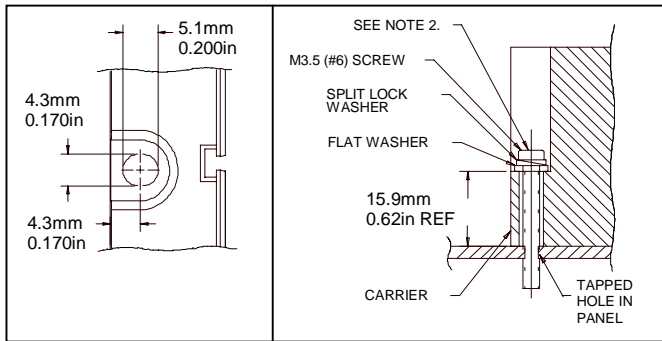
GFK-1870

Panel-Mounting

If excessive vibration is a factor the carrier should also be screwed down to the mounting panel.

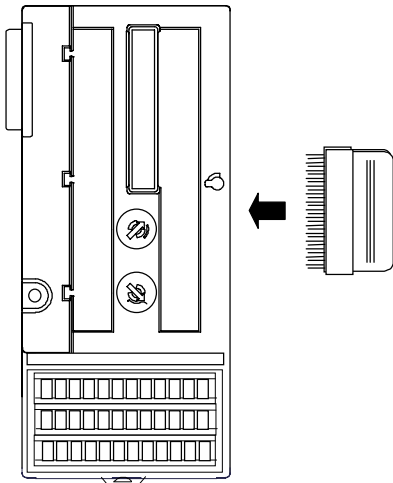
Note 1. Tolerances are +/- 0.13mm (0.005in) non-cumulative.

Note 2. 1.1-1.4Nm (10-12 in/lbs) of torque should be applied to M3.5 (#6-32) steel screw threaded into material containing internal threads and having a minimum thickness of 2.4mm (0.093in).



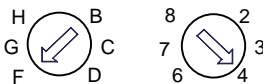
Using A Shorting Bar

A Shorting Bar is available that may be used instead of an Auxiliary I/O Terminals unit if the I/O module has only one I/O board inside the module housing. A Shorting Bar must be installed *directly on the carrier* in the unused position before installing the I/O module.



Setting the Carrier Keying

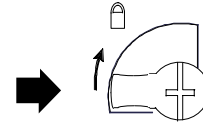
Set the keying dials on the carrier to match the factory keying on the underside of the module. One dial selects alphabetic characters and the other selects numbers.



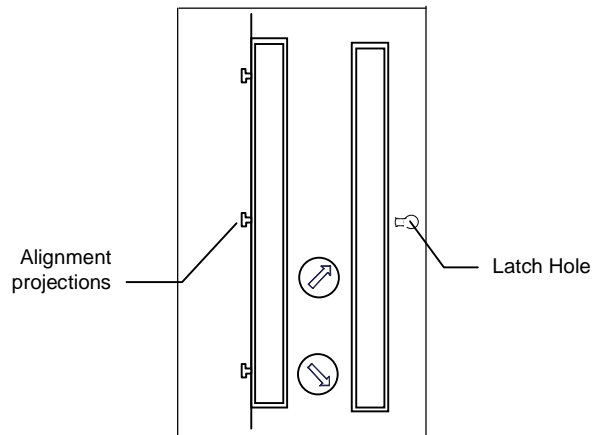
Module Installation

Note: Before installing a module in an operating system, refer to the information below about Module Hot Insertion and Removal.

The latch on the module must be in the unlocked position as illustrated to install a module on its carrier.

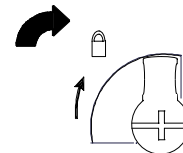


Align the three T-shaped projections on the module side with the slots on the carrier and align the latch post on the module with the hole on the carrier.



Press the module straight down onto the carrier, seating it fully.

Turn the latch to the locked position to secure the module to the top of the carrier.



Hot Insertion and Removal of Modules

If external power to a module's field devices is removed, the module itself can be removed/inserted in an operating system (backplane power and CPU or NIU active) without affecting the rest of the system.

Caution

Operating equipment may be very hot, especially at higher ambient temperatures. If the equipment is hot, do not touch it directly.

Such "hot insertion" and removal should not be attempted in hazardous locations. Personal injury, system malfunction and/or damage to the equipment may occur.

This equipment is suitable for use in non-hazardous locations or in Class I, Div. 2, Groups A, B, C, and D, and Class 1 Zone 2 locations.

Explosion hazard: Substitution of components may impair suitability for Class I, Division 2 and Class 1 Zone 2.