



This Datasheet is for the

[IC693MDL741](#)

12/24 Volt DC Positive Logic Output - 0.5 Amp, 16 Point

<http://www.qualitrol.com/shop/p-14669-ic693mdl741.aspx>

Provides the wiring diagrams and installation guidelines for this GE Series 90-30 module.

For further information, please contact Qualitrol Technical Support at

1-800-784-9385

support@qualitrol.com

12/24 Volt DC Negative Logic 0.5 Amp Output - 16 Point IC693MDL741

The *12/24 volt DC Negative Logic 0.5 Amp Output* module for the Series 90-30 Programmable Logic Controller provides 16 output points in two groups. Each group has a common power output terminal. This output module is designed to have negative logic characteristics in that it sinks current from the loads to the user common or negative power bus. The output device is connected between the positive power bus and the module output. The output characteristics are compatible with a wide range of user-supplied load devices, such as: motor starters, solenoids, and indicators. Power to operate the field devices must be supplied by the user.

LED indicators which provide the ON/OFF status of each point are located at the top of the module. This LED block has two horizontal rows with eight green LEDs in each row; the top row labeled A1 through 8 (points 1 through 8) and the bottom row labeled B1 through 8 (points 9 through 16). An insert goes between the inside and outside surface of the hinged door. The surface towards the inside of the module (when the hinged door is closed) has circuit wiring information, and circuit identification information can be recorded on the outside surface. The outside left edge of the insert is color-coded blue to indicate a low-voltage module. There are no fuses on this module.

This module can be installed in any I/O slot of a 5 or 10-slot baseplate in a Series 90-30 PLC system.

Table 7-13. Specifications for IC693MDL741

| | |
|-------------------------------|--|
| Rated Voltage | 12/24 volts DC |
| Output Voltage Range | 12 to 24 volts DC (+20%, -15%) |
| Outputs per Module | 16 (two groups of eight outputs each) |
| Isolation | 1500 volts between field side and logic side 500 volts between groups |
| Output Current | 0.5 amps maximum per point 2 amps maximum per common |
| Output Characteristics | |
| Output Voltage Drop | 0.5 volts maximum |
| Off-state Leakage | 1 mA maximum |
| On Response Time | 2 ms maximum |
| Off Response Time | 2 ms maximum |
| Power Consumption | 110 mA (all outputs on) from 5 volt bus on backplane |

Refer to Appendix B for product standards and general specifications.

IC693MDL741 Output Module Field Wiring Information

The following figure provides wiring information for connecting user supplied load devices and power source to the 12/24 volt DC negative logic 0.5 amp output module.

a43100

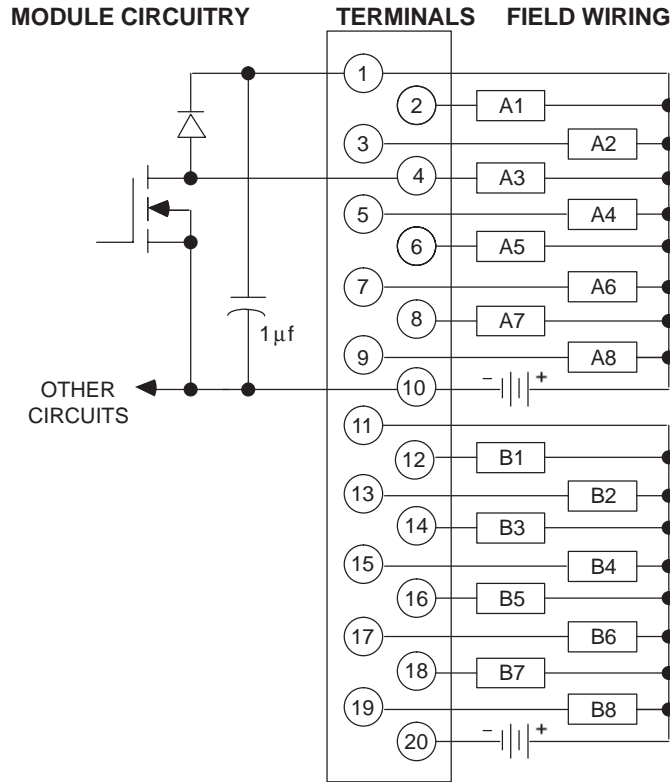


Figure 7-24. IC693MDL741 Output Module Field Wiring

a45049

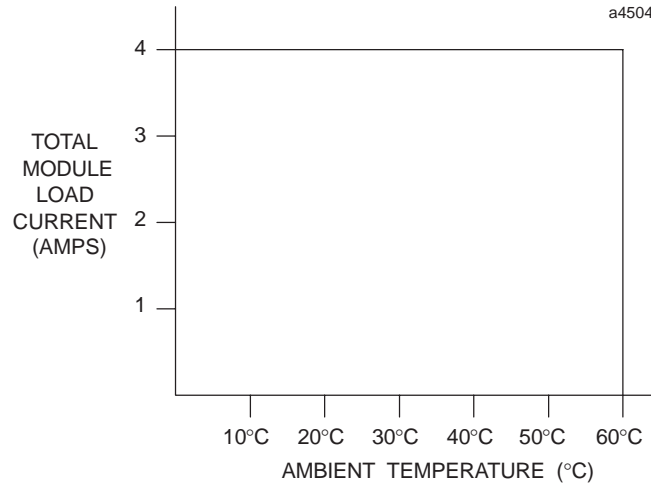


Figure 7-25. Load Current vs. Temperature for IC693MDL741