



This Datasheet for the

IC693MDL748

48VDC Output, (8 Points) 0.5 Amps, Positive Logic,

<http://www.qualitrol.com/shop/p-14671-ic693mdl748.aspx>

Provides the wiring diagrams and installation guidelines for this GE Series 90-30 module.

For further information, please contact Qualitrol Technical Support at

1-800-784-9385

support@qualitrol.com

PLC DATA SHEET

Product: IC693MDL748 Discrete Output Module
24/48 Volt DC, 0.5A, 8 Points, Positive Logic

Product Description

This *24/48 volt DC Positive Logic 0.5 Amp Output* module for the IC693 Programmable Logic Controller provides 8 output points in one group with a common power input terminal. This output module is a positive logic type in that it sources current to the output devices from the user positive power bus. Output devices are connected between the negative power bus and the module outputs. The output characteristics are compatible with a wide range of user-supplied output devices, such as motor starters, solenoids, and indicators. Power to operate output devices must come from an external power source supplied by the user. This module is rated for either 24 or 48 volt DC positive logic 0.5 Amp output applications.

LED indicators that provide the ON/OFF status of each point are located at the top of the module. LEDs are arranged in two horizontal rows with eight green LEDs in each row. This module uses only the top row labeled A1 through 8 (points 1 through 8). The bottom row of LEDs (labeled "B") is not used on this module. A red LED (labeled "F") on the right and centered between the two rows of green LEDs functions as a blown fuse indicator; it turns ON when either fuse is blown. The module has two 3.15 Amp fuses, with each fuse protecting four outputs; the first fuse protects outputs A1 – A4, the second fuse protects outputs A5 – A8. These fuses are connected to the same positive supply connection (see Figure 1). An insert fits between the inside and outside surface of the module's hinged cover. The back of the insert has circuit-wiring information, and circuit identification information can be written on the front of the insert. The front left edge of the insert is color-coded blue to indicate a DC-type module.

This module can be installed in any I/O slot of a 5 or 10-slot baseplate in an IC693-Series PLC system.

Table 1. Specifications for IC693MDL748

Rated Voltage	24/48 volts DC
Output Voltage Range	24 to 48 volts DC (+/- 25%)
Outputs per Module	8 (one group of eight outputs)
Isolation	1500 volts between field side and logic side
Output Current	0.5 amps maximum per point
Output Characteristics	
Inrush Current	9.4 amps for 10 ms
Output Voltage Drop	1.2 volts maximum
Off-state Leakage	1 mA maximum
On Response Time	2 ms maximum
Off Response Time	2 ms maximum
Power Consumption	60 mA (all outputs on) from 5 volt bus on backplane

Refer to data sheet GFK-0867 for product standards and general specifications.

IC693MDL748 Output Module Field Wiring Information

The following figure provides wiring information for connecting user-supplied output devices (labeled A1 – A8) and user-supplied power source to the module.

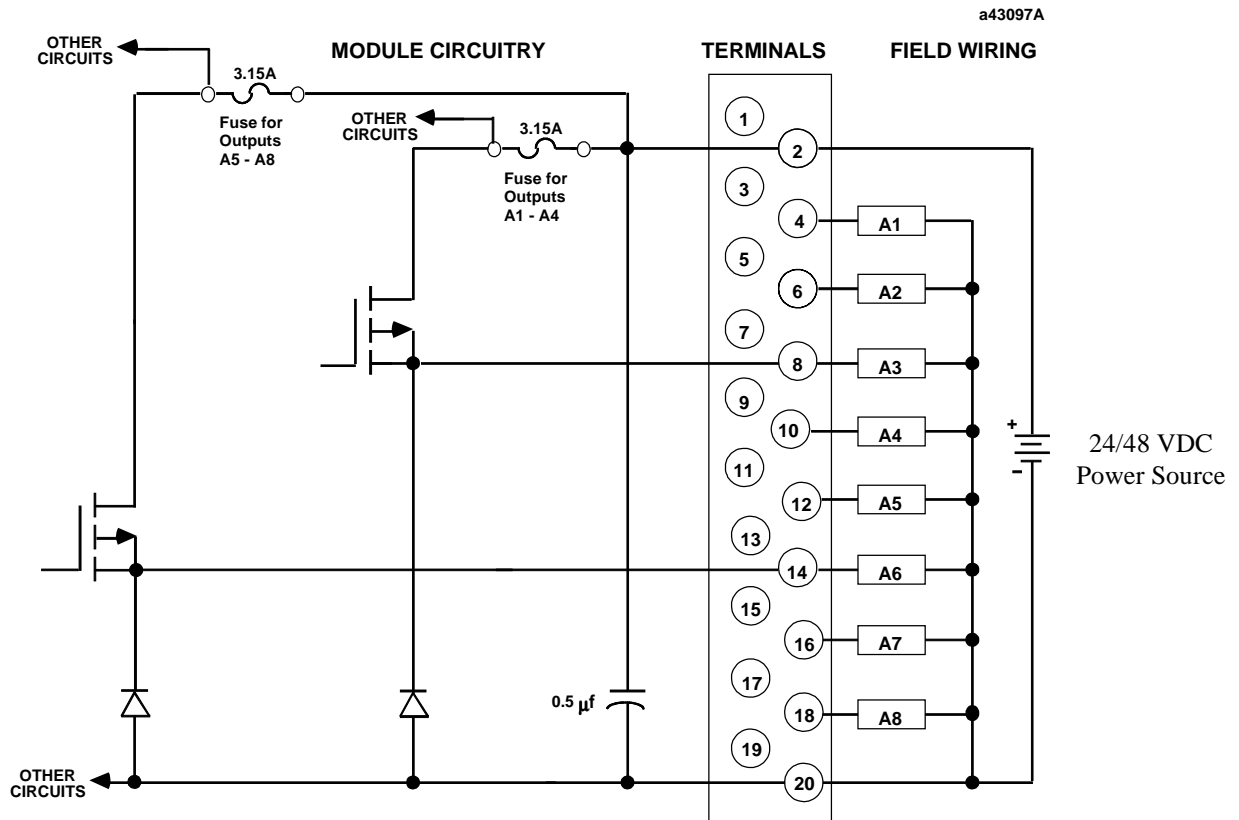


Figure 1. IC693MDL748 Output Module Field Wiring

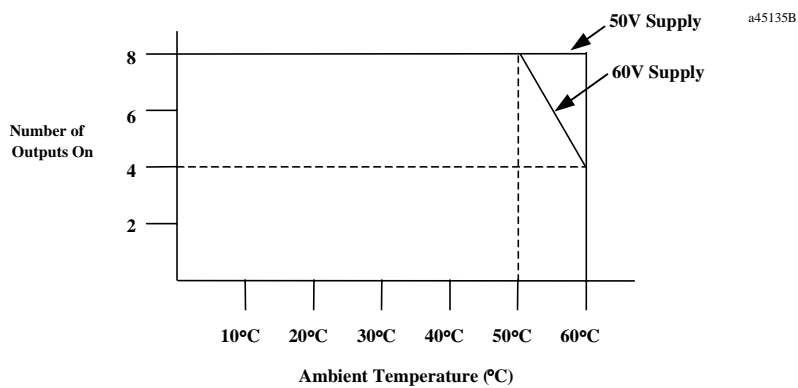


Figure 2. Output Points vs. Temperature for IC693MDL748

GFK-2081A

Installing and Removing the Terminal Board Screws

The IC693MDL748 discrete output module's terminal board is equipped with holding screws, shown in the figure below. These screws prevent the terminal board-to-module connections from deteriorating in applications where the PLC is subjected to severe vibration.

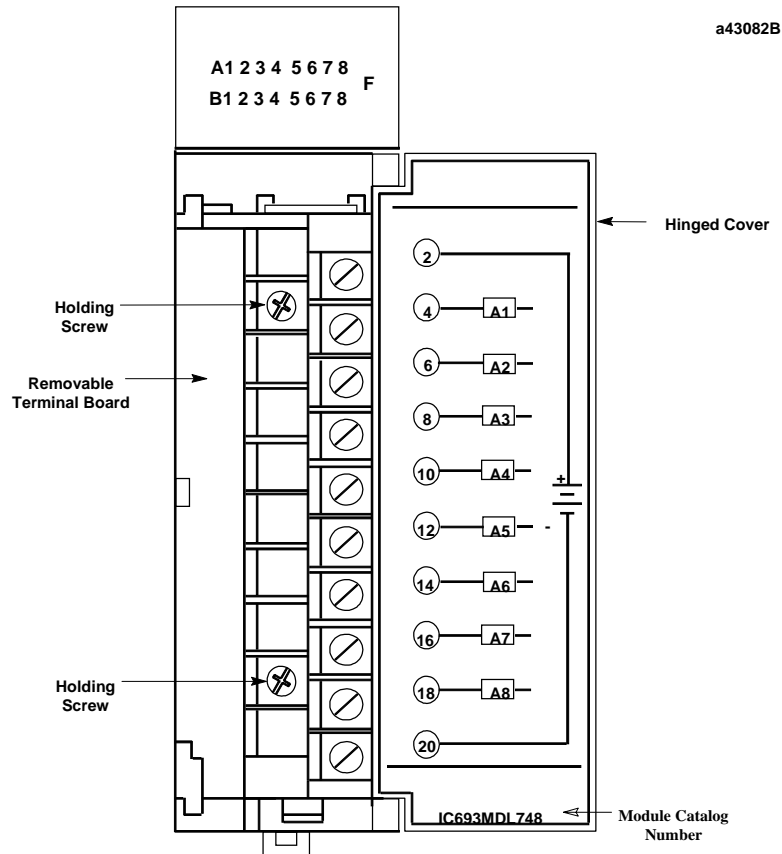


Figure 3. Terminal Board Holding Screw Locations

- **Removing Terminal Board:** To Remove these terminal boards, first loosen the two holding screws on the front of the terminal board, then follow the standard IC693 terminal board removal procedure (see the IC693 Installation manual). The holding screws are held captive in the terminal board and do not have to be completely removed.
- **Installing Terminal Board:** To install these terminal boards, follow the standard IC693 terminal board installation procedure, then tighten the two holding screws to 8 to 10 inch pounds (1 Newton-meter) of torque.

Configuration Information

Check to see if the module catalog number, IC693MDL748, is found in your configuration software's Output Module list. If so, select it from the list; if it is not listed, configure it as a Generic 8-circuit (8-point) Discrete Output Module.

Fuse Information

The two output fuses are rated 3.15 Amps and are the 5x20 mm size. Replacements may be ordered from your distributor; specify catalog number 44A725207-011. The equivalent Bussman part number is GDB-3.15A and the Littelfuse part number is 2173.15.