



This Datasheet is for the

[IC693MDL753](#)

12/24 Volt DC, 0.5A Positive Logic Output, 32 Point

<http://www.qualitrol.com/shop/p-14675-ic693mdl753.aspx>

Provides the wiring diagrams and installation guidelines for this GE Series 90-30 module.

For further information, please contact Qualitrol Technical Support at

1-800-784-9385

support@qualitrol.com

12/24 Volt DC, 0.5A Positive Logic Output, 32 Point IC693MDL753

The *12/24 volt DC, 0.5A Positive Logic Output* module for the Series 90-30 Programmable Logic Controller provides 32 discrete outputs. The outputs are arranged in four isolated groups of eight (A1 - A8, B1 - B8, C1 - C8, and D1 - D8); each group has its own common. The outputs are positive logic or sourcing type outputs in that they switch the loads on the positive side of the power supply, and therefore supply current to the load.

The outputs can switch user loads over the range of +12 through +24 VDC (+20%, -15%) and are capable of sourcing a maximum current of 0.5 amps per point. Two pins are provided on the user I/O connectors for each group common. Each pin has a current handling capability of 3 amperes. It is recommended that connections are made to both pins when connecting the common; however, it is a requirement for high current applications (between 3 and 4 amperes).

Each group can be used to drive different loads. For example, group A, B, and C can drive 24 VDC loads, while group D can be reserved for driving 12 VDC loads. Power to provide current to the loads must be provided by the user. The module also draws a minimum amount of power from the user supply to provide gate drive to the output devices.

Backplane isolation between the field side and logic side is provided by opto-couplers on the module.

All 32 outputs are forced OFF when the CPU is stopped. There are no special fault or alarm diagnostics reported. LED indicators (labeled A1 - A8, B1 - B8, C1 - C8, D1 - D8) at the top of the module provide the ON/OFF status of each output point.

This module is configured as a 32-point output type and uses 32 bits of discrete %Q output data. This module can be installed in any I/O slot of a 5 or 10-slot baseplate in a Series 90-30 PLC system.

Connections from the output circuits are made to the user load devices from two male (pin-type) 24-pin connectors (Fujitsu FCN-365P024-AU) mounted on the front of the module. The connector mounted on the right of the module (front view) interfaces with groups A and B. The connector on the left side of the module interfaces with groups C and D.

Wiring to Field Devices

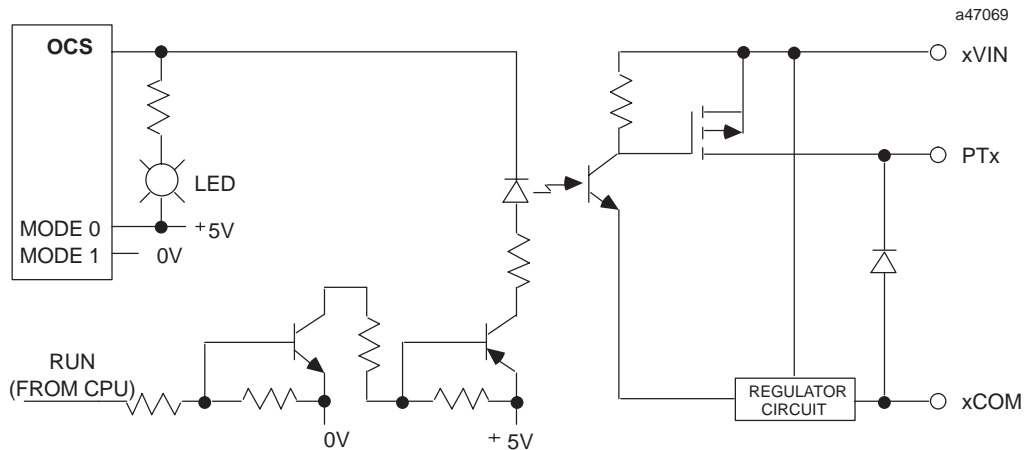
- **Direct Method** – This method uses cables that have a mating female connector on the module end and stripped and tinned wires on the other end. You can purchase a pair of pre-wired cables, catalog numbers IC693CBL327 and IC693CBL328 or, if required for your application, build your own cables. Refer to *Building Cables for 24-Pin Connectors* in the IC693CBL327/328 data sheet in Appendix C of this manual for more information.
- **Using a TBQC** – The Terminal Block Quick Connect method uses a pair of cables with connectors on each end. These connect from the module connectors to connectors on DIN-rail mounted terminal blocks. The TBQC components are discussed in Appendix D.

Table 7-24. Specifications for IC693MDL753

Rated Voltage	12 through 24 volts DC, positive logic
Output Voltage Range	10.2 to 28.8 volts DC
Outputs per Module	32 (four groups of eight outputs each)
Isolation	1500 volts between field side and logic side 250 volts between groups
Output Current	0.5 amps per point with 4 amps maximum per group and 3 amps maximum per group common pin
Output Characteristics	
Inrush Current	5.4 amps for 10 ms
On-state Voltage Drop	0.3 volts DC
Off-state Leakage Current	0.1 mA maximum
On Response Time	0.5 ms maximum
Off Response Time	0.5 ms maximum
Internal Power Consumption	260 mA (maximum) from 5 volt bus on backplane; (13 mA + 3 mA/point ON + 4.7 mA/LED) 16.5 mA (maximum) per group from user supply @ 24 VDC and all eight outputs in group ON 9.6 mA (maximum) per group from user supply @ 12 VDC and all eight outputs in group ON

Refer to data sheet GFK-0867C, or later revision for product standards and general specifications.

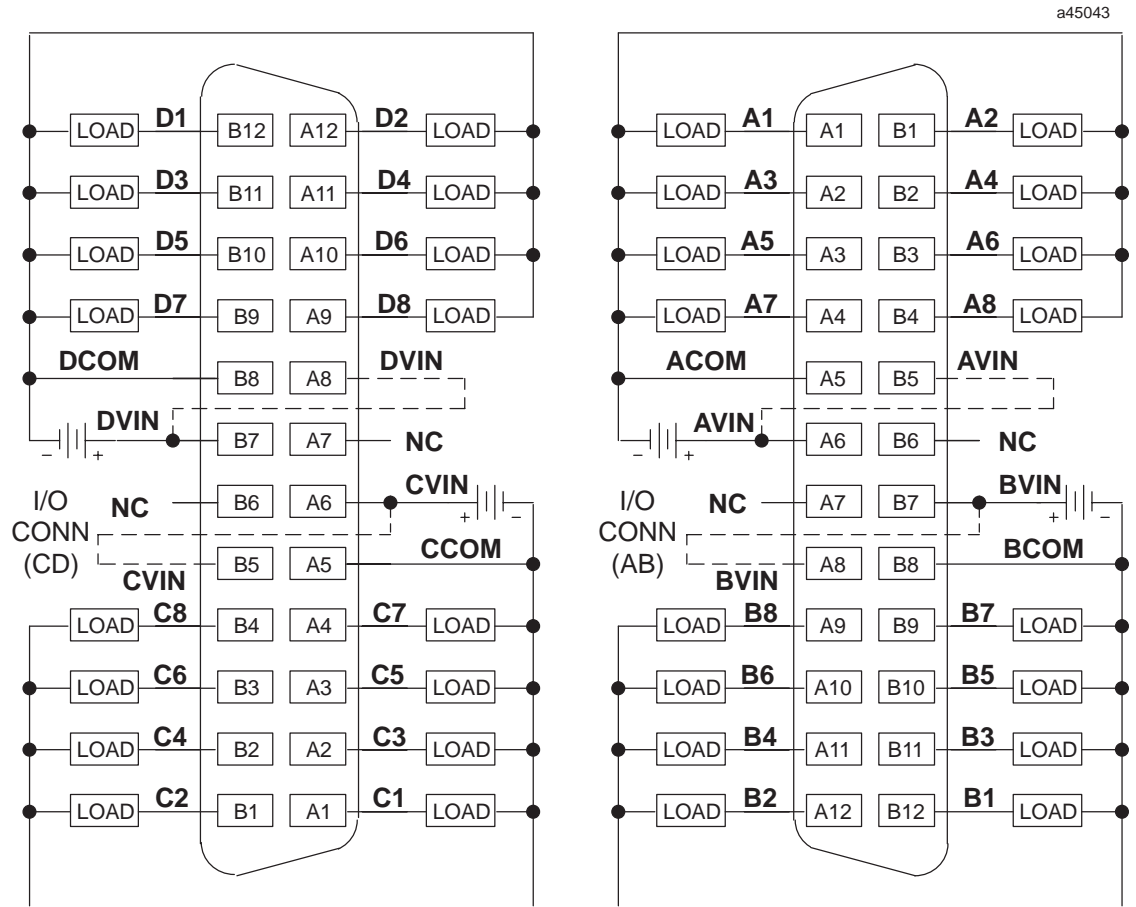
TYPICAL CIRCUIT



IC693MDL753 Output Module Field Wiring Information

The following figure provides wiring information for connecting user supplied load devices and power source to the 12/24 volt DC, 0.5A positive logic output module.

Module point numbers are shown in **bold text**.



 = FUJITSU CONNECTOR PINS A1-A12, B1-B12 MODULE POINT NUMBERS ARE SHOWN IN **BOLD TEXT**.

NOTE: IF TOTAL LOAD CURRENT IS GREATER THAN 3A FOR A GROUP USE BOTH *VIN PINS (FOR APPLICABLE GROUP OR GROUPS) BY ADDING A SECOND WIRE AS SHOWN BY THE DASHED LINES.

Figure 7-41. Field Wiring - 12/24 Volt DC, 0.5A Positive Logic 32 Point Output Module - IC693MDL753

Field Wiring Work Sheet for IC693MDL753

The following table is provided for the convenience of our customers as an aid to wiring the 24-pin connectors using cable IC693CBL315. It includes all of the required wiring information in one table. This table has the following information:

- *module point number:* A1 - A8, B1 - B8, C1 - C8, D1 - D8, voltage and common points
- *connector pin number:* A1 through A12, and B1 through B12
- *cable pair number:* pair 1 through pair 12
- *wire color code:* base color or base color with tracer color

Columns are also provided for circuit references and customer wire numbers. Please copy and use the work sheets on this and the following page as needed when wiring the 12/24 Volt DC, 0.5A Positive Logic, 32 Point Output module.

Wiring for Module Groups A and B (connector on right front of module)

Reference	Module Point Number	Connector Pin Number	Cable Pair Number	Wire Color Code	Wire Number
	A1	A1	1	Brown	
	A2	B1	7	Violet	
	A3	A2	1	Brown/Black	
	A4	B2	7	Violet/Black	
	A5	A3	2	Red	
	A6	B3	8	White	
	A7	A4	2	Red/Black	
	A8	B4	8	White/Black	
	A Common	A5	3	Orange	
	AVIN	B5	9	Gray	
	AVIN	A6	3	Orange/Black	
	N/C	B6	9	Gray/Black	
	N/C	A7	4	Yellow	
	BVIN	B7	10	Pink	
	BVIN	A8	4	Yellow/Black	
	B Common	B8	10	Pink/Black	
	B8	A9	5	Dark Green	
	B7	B9	11	Light Blue	
	B6	A10	5	Dark Green/Black	
	B5	B10	11	Light Blue/Black	
	B4	A11	6	Dark Blue	
	B3	B11	12	Light Green	
	B2	A12	6	Dark Blue/Black	
	B1	B12	12	Light Green/Black	

Wiring for Module Groups C and D (connector on left front of module)

Reference	Module Point Number	Connector Pin Number	Cable Pair Number	Wire Color Code	Wire Number
	C1	A1	1	Brown	
	C2	B1	7	Violet	
	C3	A2	1	Brown/Black	
	C4	B2	7	Violet/Black	
	C5	A3	2	Red	
	C6	B3	8	White	
	C7	A4	2	Red/Black	
	C8	B4	8	White/Black	
	C Common	A5	3	Orange	
	CVIN	B5	9	Gray	
	CVIN	A6	3	Orange/Black	
	N/C	B6	9	Gray/Black	
	N/C	A7	4	Yellow	
	DVIN	B7	10	Pink	
	DVIN	A8	4	Yellow/Black	
	D Common	B8	10	Pink/Black	
	D8	A9	5	Dark Green	
	D7	B9	11	Light Blue	
	D6	A10	5	Dark Green/Black	
	D5	B10	11	Light Blue/Black	
	D4	A11	6	Dark Blue	
	D3	B11	12	Light Green	
	D2	A12	6	Dark Blue/Black	
	D1	B12	12	Light Green/Black	