

Isolated Relay Output, 2 Amp - 16 Circuits
IC655MDL586

This module provides 12 normally-open and four form C relay circuits for controlling user output loads. The output switching capacity of this module is 2 amps, resistive load. The 16 status LEDs on the module provide a dual function. They normally provide a visual indication of the status of each output circuit with each LED reflecting the On or Off state of the corresponding output. The second function is that when commanded through programming, they indicate the starting I/O address of the module.

Connections to each circuit are made to the removable terminal block on the front of the module. Since these output circuits are isolated from each other, each output has a separate common connection. The user must supply the AC or DC power source for the loads connected to the module's output circuits, and 24 VDC to power the module's output circuitry.

Table 28. Specifications for Isolated Relay Out - 16 Circuits

Output Circuit Type	Relay Contact, 12 Normally-Open/4 form C
Number of Circuits	16
Internal Circuit Grouping	Isolated Relay Contact
Operating Voltage	5 to 30 VDC or 5 to 265 VAC
Peak Voltage	265 VAC
Maximum Operating Current (see following table)	2 amps, resistive load 2 amps/common
Maximum Leakage Current	0.1 mA at 265 VAC, 60 Hz
Smallest Recommended Load	5.0 mA at 5 VDC
Maximum Inrush current	2 amps
OFF to ON Response	12 ms
ON to OFF Response	12 ms
Status Indicator Location	Logic side
Internal Power Consumption, (5 VDC)	Each On Point; 9.5 mA Total; 152 mA (typ), 180 mA (max)
External Power Supply Requirements	Voltage: 24 VDC, $\pm 10\%$ Current: 160 mA at 26.4 VDC

Table 29. Load Current Limitations

Operating Voltage	Maximum Current for Load Type		Typical Contact Life (number of Operations)
	Resistive	Lamp or Solenoid †	
24 to 120 VAC	2 amps	1 amp	200,000
24 to 120 VAC	1 amp	.2 amps	400,000
24 to 120 VAC	.1 amps	.02 amps	1,000,000
240 VAC	2 amps	1 amp	100,000
240 VAC	1 amp	.2 amps	300,000
240 VAC	.1 amps	.02 amps	900,000
24 VDC	-	3 amps	100,000
24 VDC	2 amps	1 amp	200,000
24 VDC	1 amp	.2 amps	1,000,000
24 VDC	.1 amps	.02 amps	1,000,000
110 VDC	.4 amps	.1 amps	200,000

†Assumes a 15 ms time constant

GFK-0123

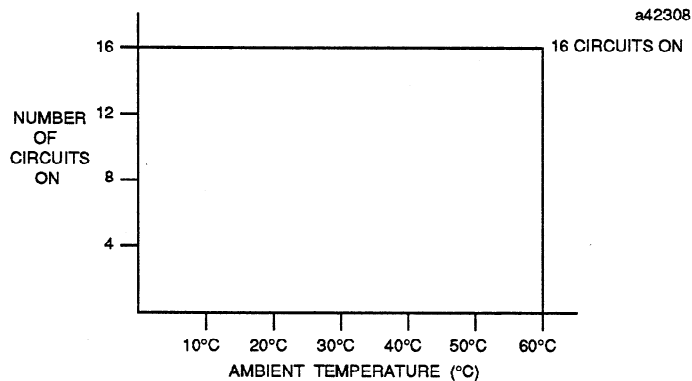


Figure 45. Output Points vs. Temperature for IC655MDL586

Wiring Information - IC655MDL586

The following figure provides the information required for connecting field devices to this module.

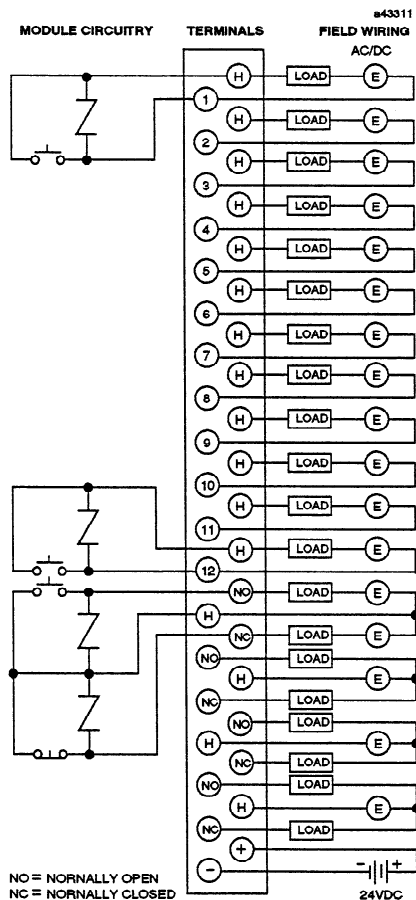


Figure 46. Field Wiring and Typical Circuit for IC655MDL586